

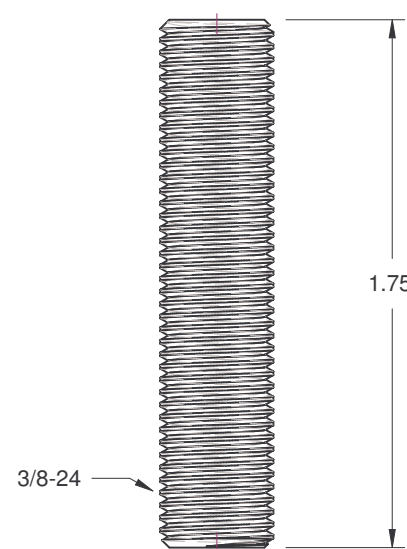
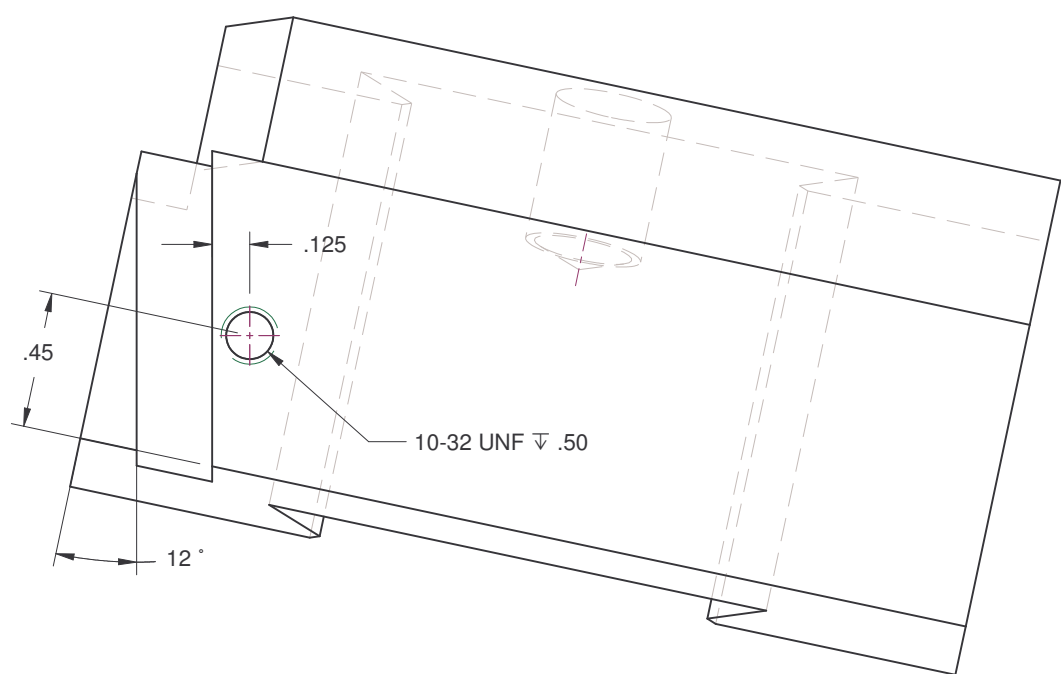
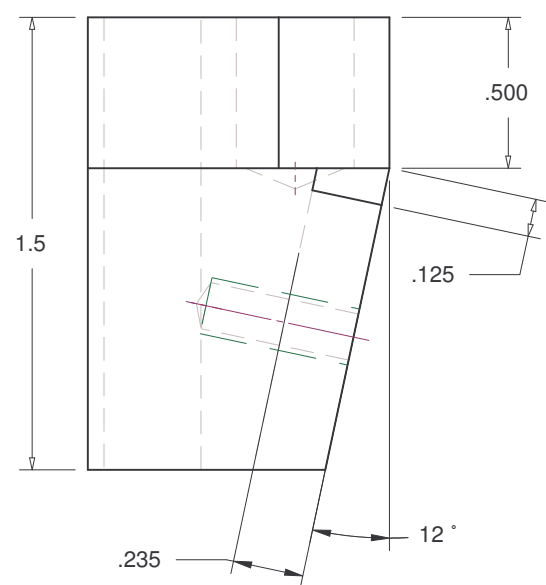
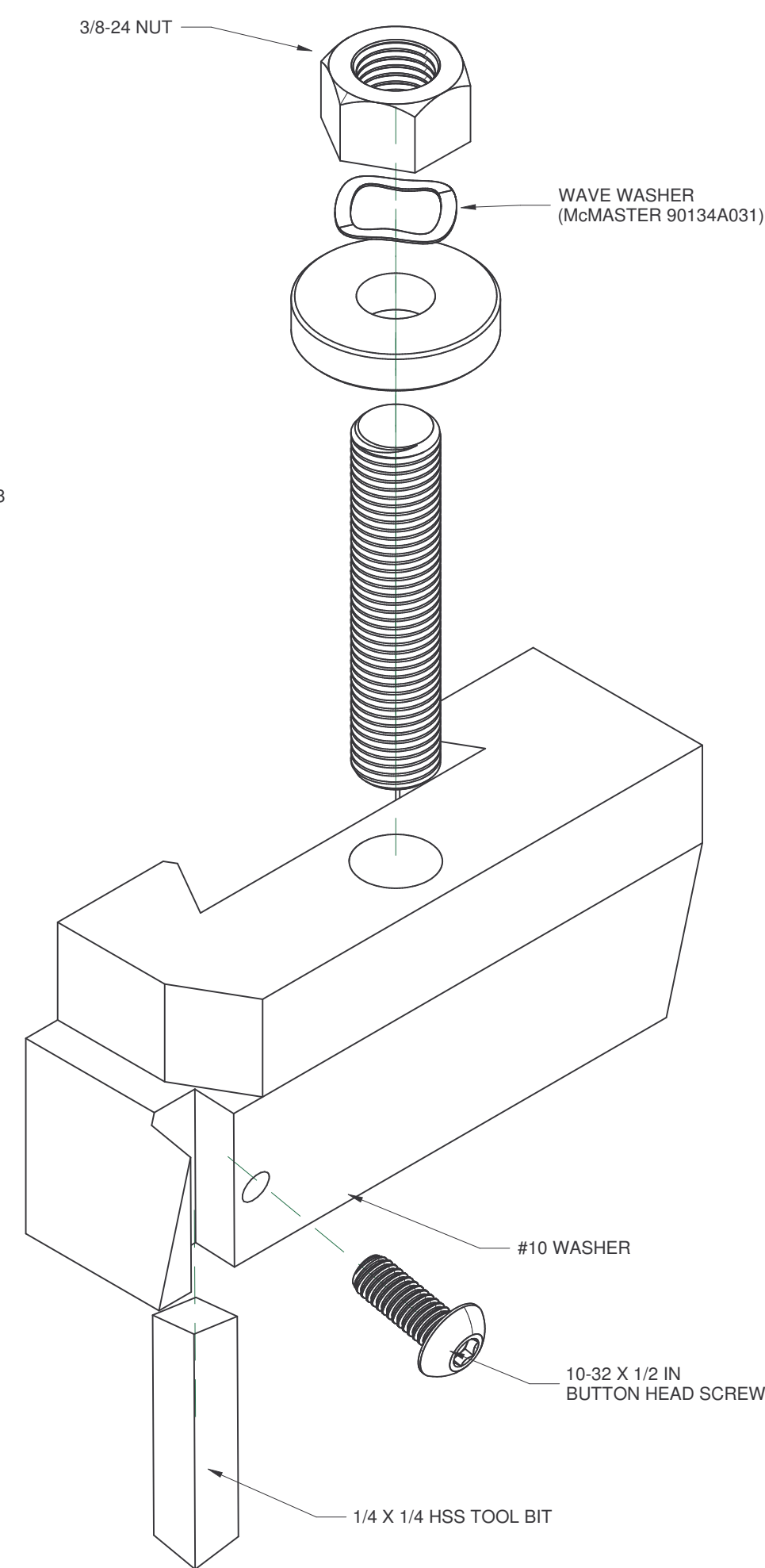
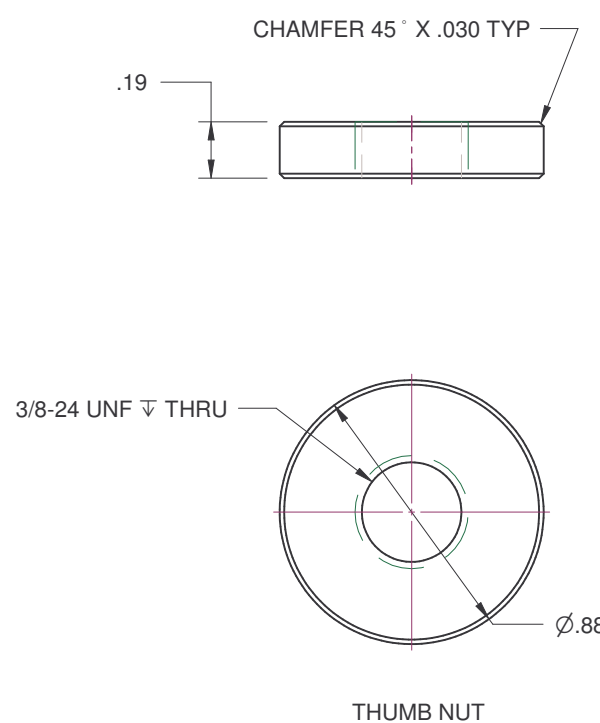
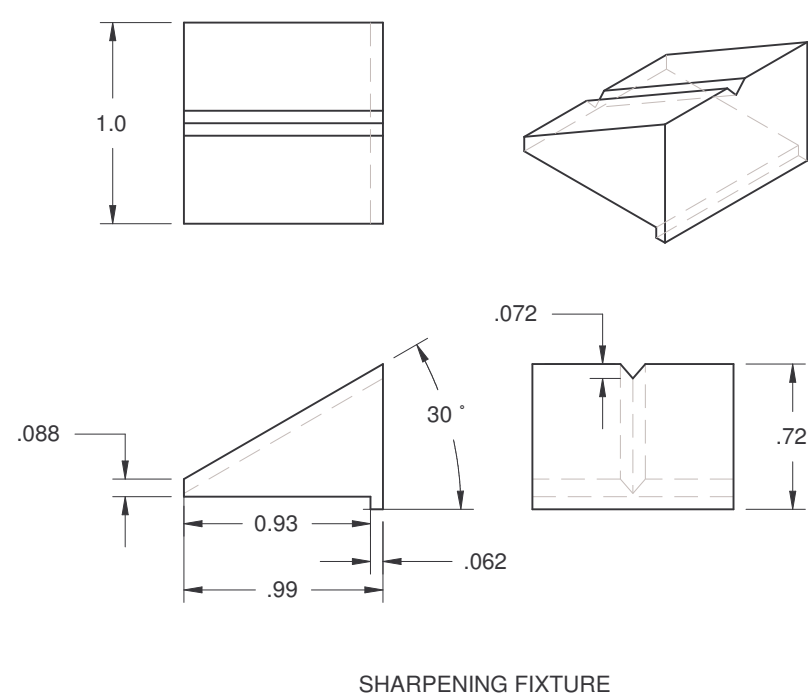
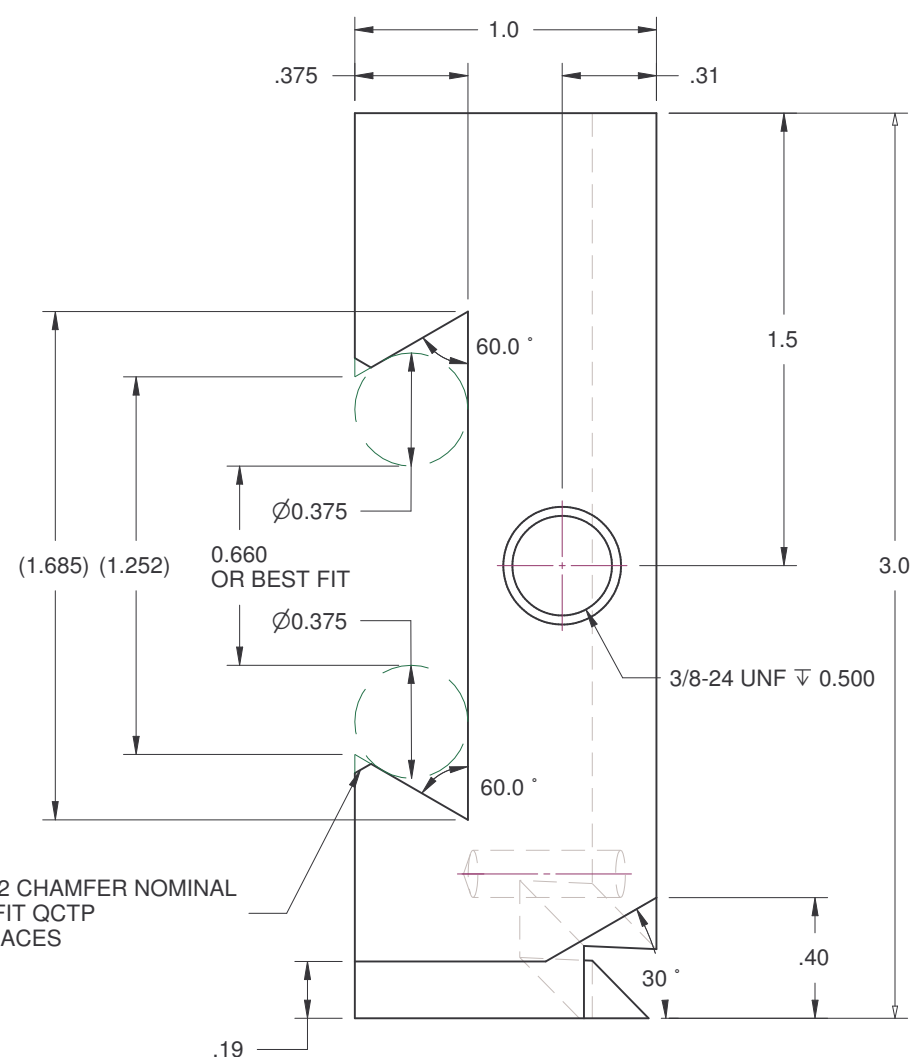
4

3

2

1

REVISIONS				
ZONE	REV	DESCRIPTION	DATE	APPROVED



D

D

C

C

B

B

A

A

4

3

2

1

DESIGN: JOHN MORAN, www.gadgetbuilder.com	DRAWN J. Gedde	DATE	QCTP TANGENTIAL TOOLHOLDER (AXA)			
	CHECKED					
	QA		SIZE C	FSCM NO.	DWG NO.	REV
	MFG		SCALE		SHEET	
	APPROVED					